

in.k400

series of compact full-function keypads



TechBook



Giving full control to wet fingers!





Table of contents

overview	3
installation	
- drilling template	5
- with adhesive	6
- with brackets	6
connections	
- connecting in.k400 keypad to in.xm	7
functions	
- on/off key	8
- pumps 1 & 2 keys	8
- pump 3 & blower key	9
- light key	9
- up/down keys	9
- program key	9
- setting time	10
- setting filter cycle	10
- setting temperature unit	11
- other features	11
specifications	12

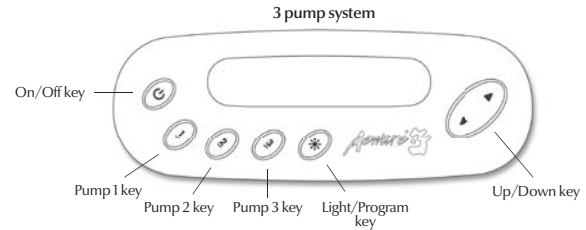
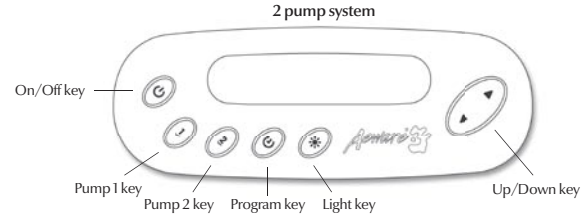


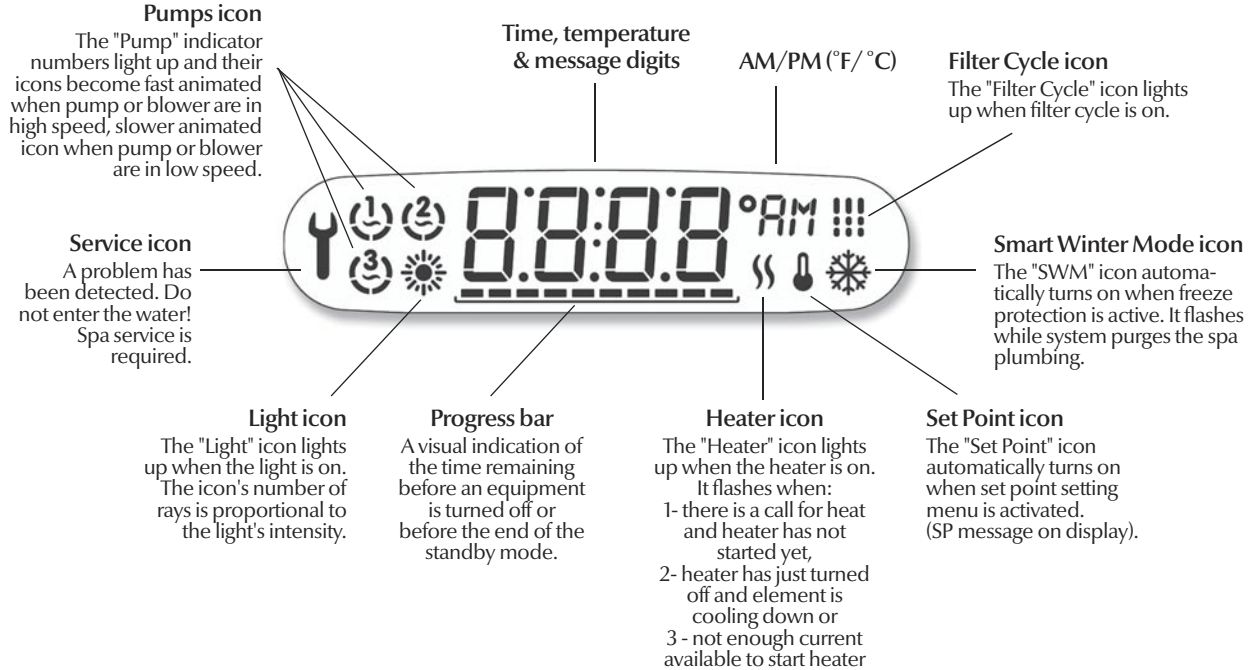


in.k400

Compact full-featured keypads that gives complete control to wet fingers

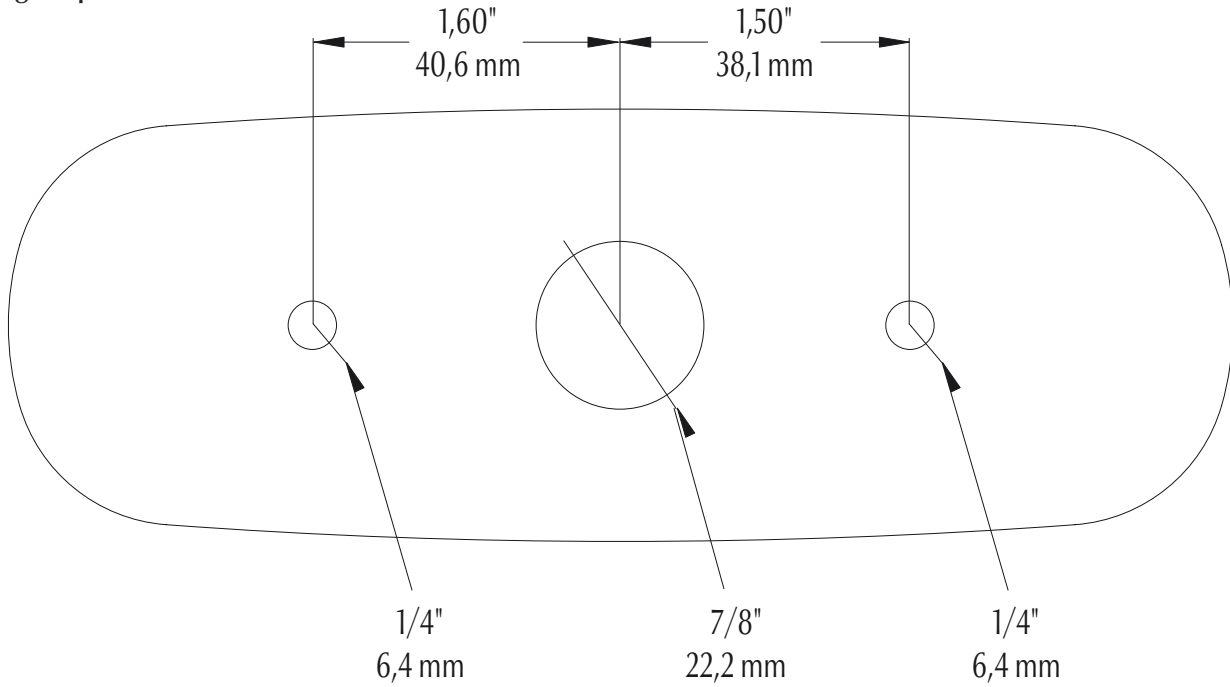
Aeware's new series of keypads features a large LCD display and raised keys that let users control all in.xm functions and programming directly from spa side. In.k400 comes in an easy to install waterproof plastic enclosure and is designed to maximize user experience.





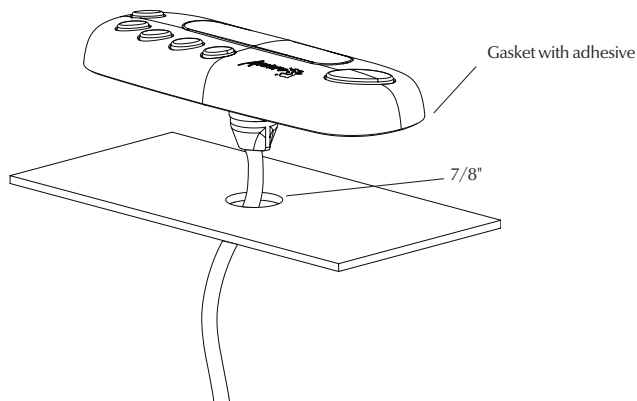


Drilling template





Installation in.k400 with adhesive

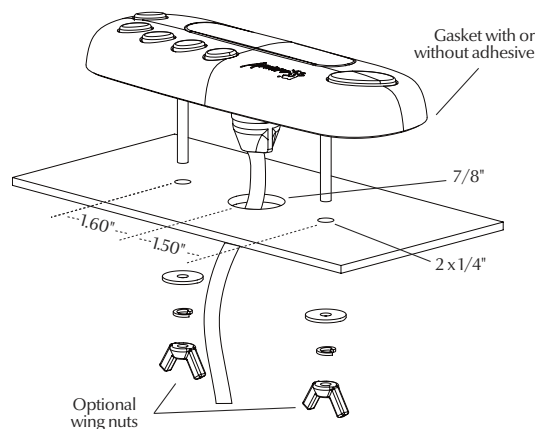


To install the in.k400, the user must cut out one 7/8" diameter hole for the cable (see illustration).

Clean the installation surface and peel the adhesive gasket from the back of the keypad.

Insert keypad and align it correctly, then ensure it's properly glued by gently pressing evenly on the entire surface.

Installation in.k400 with brackets

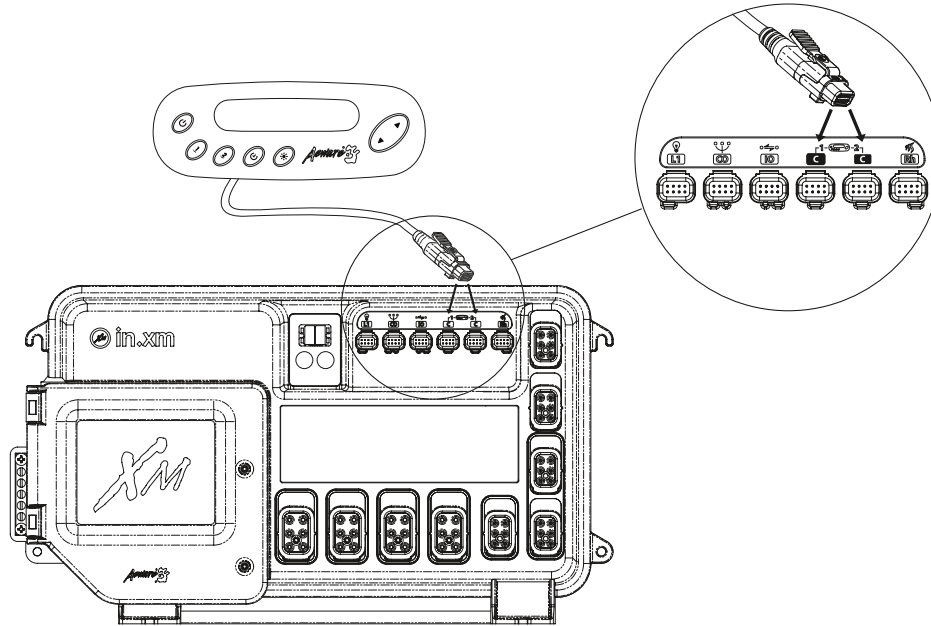


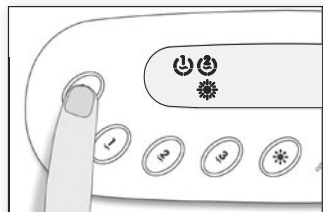
To install the in.k400, the user must cut out two 1/4" diameter holes for the fixation studs and one 7/8" diameter hole for the cable (see illustration).

Insert keypad and align it correctly, then secure it properly in place by using the two wing nuts provided.



Connecting in.k400 keypad to in.xm





On/Off key

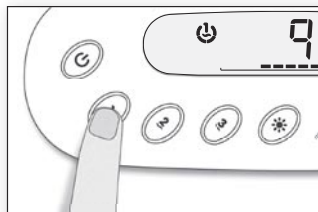
Depending on the spa manufacturer, this key may have different functions: On/Off, Standby mode or quick enable of the Economy mode.

Standby Mode : Use **On/Off** key to pause all pumps*. Progress bar will display the remaining time before the system automatically exits Standby mode (user can also exit Standby mode at any time by pressing again on **On/Off** key). In order to warn the user, the spa light will flash for a few seconds before the exit of



Standby mode and restart the pumps. The "Stby" message is also displayed during Standby mode.

** Pump will stay turned on if there is a request for more heat.*



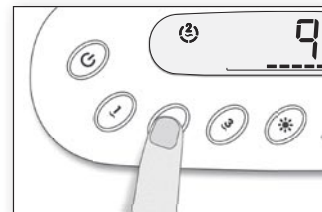
Pump 1 key

Press **Pump 1** key to turn Pump 1 on at low speed.

Press a second time to turn pump to high speed (with a dual-speed pump).

A third time turns pump off.

A built-in timer automatically turns pump off after 20 minutes, unless pump has been manually deactivated first.



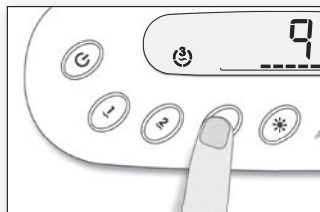
Pump 2 key

Press **Pump 2** key to turn Pump 2 on at low speed.

Press a second time to turn pump to high speed (with a dual-speed pump).

A third time turns pump off.

A built-in timer automatically turns pump off after 20 minutes, unless pump has been manually deactivated first.



Pump 3/Blower key 3

Press **Pump 3/Blower** key to turn Pump 3/Blower on.

Press a second time to turn pump off.

A built-in timer automatically turns pump off after 20 minutes, unless pump has been manually deactivated first.



Light key ☀

Press **Light** key to turn light on at high intensity.

Subsequent presses change light intensity.

A last press turns light off.

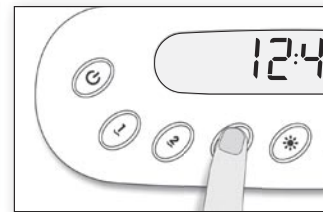
A built-in timer automatically turns light off after 2 hours, unless it has been manually deactivated first.



Up/Down keys ▲ ▼

Use **Up** or **Down** key to set desired water temperature. The temperature setting will be displayed for 5 seconds to confirm your new selection.

The "Set Point" icon indicates that the display shows the desired temperature, NOT the current water temperature!



Program key ☑

Use **Program** key to display time or enter Programming menu by pressing and holding key. In Programming mode, the following parameters can be set: time, filter cycle duration, filter cycle frequency, and temperature unit.

Note: Light key is used as Program key if this key is not present.



Setting the time

Enter Programming mode by holding **Prog.** key pressed down for 3 sec. The display will show the current time setting.

Setting the hour:

Use **Up** or **Down** arrows to change hour setting (AM/PM).

Setting the minutes:

Press **Prog.** key a second time.

Use **Up** or **Down** key to change hour setting.



Setting filter cycle start time

To program the filter cycle, you must enter these parameters: the start time, duration and frequency. During a filter cycle, pumps run for one minute to purge the plumbing, then Pump 1 runs for the programmed number of hours.

Press **Prog.** key a third time.

The display will show **FSxx**, with "xx" representing the starting hour.

Use **Up** or **Down** key to change setting.

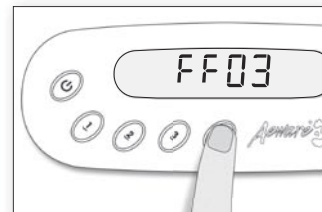


Setting filter cycle duration

Press **Prog.** key a fourth time.

The display will show **Fdxx**, with "xx" representing the duration in hours.

Use **Up** or **Down** key to change setting.

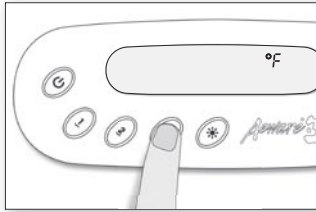


Filter cycle frequency

Press **Prog.** key a fifth time.

The display will show **FFxx**, with "xx" representing the number of filter cycles per day (up to 4).

Use **Up** or **Down** key to change setting.



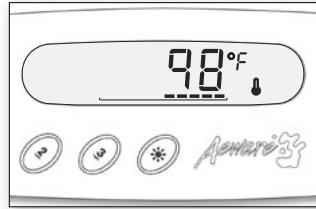
Setting temperature unit

Water temperature can be displayed in either Fahrenheit (°F) or Celsius (°C).

Press **Prog.** key a sixth time.

The display will show either °F or °C.

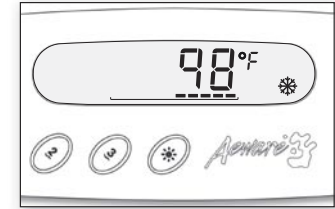
Use **Up** or **Down** key to change setting.



Water temperature regulation

In a regulation cycle, the system first generates water flow through the heater housing and the plumbing, in order to ensure accurate water temperature readings as well as avoiding heater activation in dry conditions.

After verifying pump activation and taking a water temperature reading if required, the system automatically turns the heater on to reach and maintain water temperature at Set Point.



Smart Winter Mode

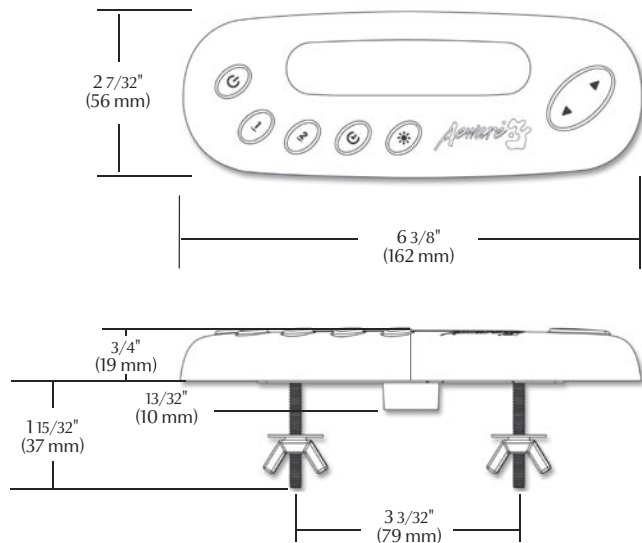
Our Smart Winter Mode protects your system from the cold by turning pumps on several times a day to prevent water from freezing in pipes.

Cooldown

After heating the spa water to the desired Set Point, the heater is turned off, but its associated pump (Pump 1 Low-speed or CP) remains on for a predetermined period of time to ensure adequate cooling of the heating element, this prolongs its useful life. The heater icon flashes during this time.



Dimensions:



General specifications:

Environmentals:

Storage temperature: 70°C (158°F) to -30°C (-22°F)

Operating temperature: 60°C (140°F) to -20°C (-4°F)

Humidity: up to 95% condensing

Mechanical Specs:

Weight: 0.27 kg (0.6 lbs)

Dimensions (W x H x D): Front Panel:

162 mm x 56 mm x 19 mm

(6 3/8" x 2 7/32" x 3/4") Soft gasket

Standards: UL 1563 Fifth Ed. File: E182156

CSA No. 22.2 - 218.1-M89



Specifications and design are subject to change without notice.

Advanced electronics! Water resistance!



Aeware 3
by gecko

Gecko Alliance

450 des Canetons, Quebec City (QC) G2E 5W6 Canada, 1.800.78.GECKO
9225 Stellar Court, Corona, CA 92883 USA, 1.866.639.7274

www.geckoalliance.com

9919-100604
Rev. 08/08

